

# HUNTCO BIKE RACK

# Installation Instructions

## IN-GROUND MOUNT

### Existing Concrete Installation

Place the rack according to the drawings to give adequate clearance between the wall and the rack. When mounting the rack in existing concrete, the concrete will need to be cored. The hole must be at least 6" in diameter and 12" deep to clear the pins in the rack.

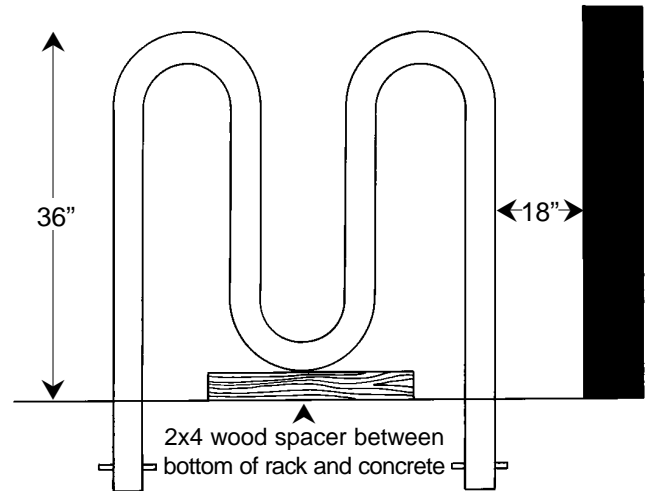
Place the wet concrete in the cored holes and place the rack in the holes, pushing out the excess wet concrete. Use the 2x4 to keep the rack off the ground as shown. Trowel the excess concrete smooth around the bike rack leg.

### New Concrete Installation

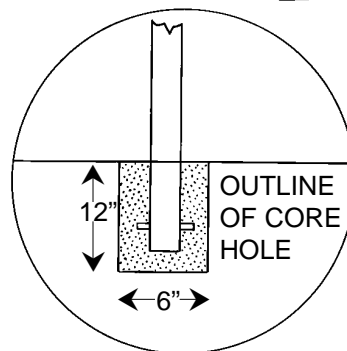
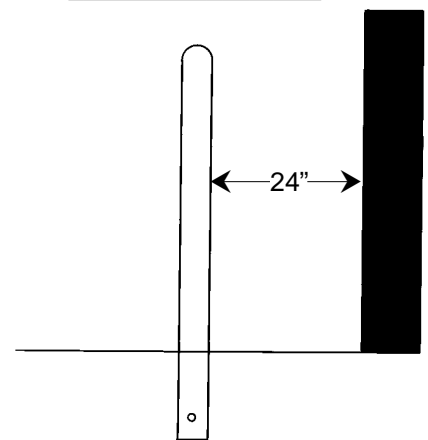
Place the rack according to the drawings to give adequate clearance between the wall and the rack. When placing the rack into wet concrete, locate the rack and push the legs into the wet concrete. Set the bottom loop on a wood 2x4 to keep it clear of the ground.

Trowel the concrete smooth around the bike rack leg.

PERPENDICULAR TO WALL



PARALLEL TO WALL



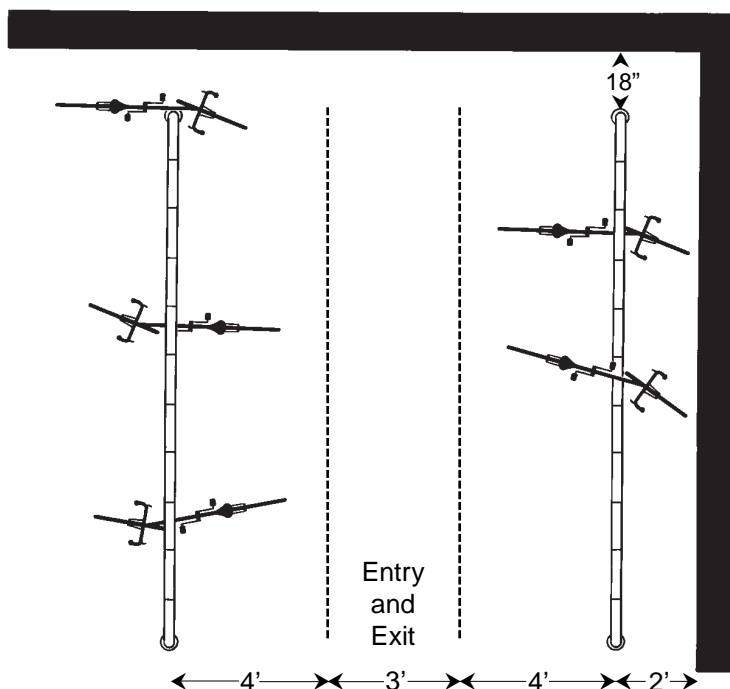
### Bike Rack Placement

When positioning a Huntco Bike Rack parallel to a wall, leave a 2' space between the rack and the wall and an open space of at least 4' on the other side of the rack for the bicycles.

When positioning a Huntco Bike Rack perpendicular to a wall, leave an 18" space between the end of the rack and the wall to allow room for a bike on the end of the rack.

If two or more bike racks are positioned parallel to each other, there must be at least 11' between the racks. This will provide 4' of space for the bicycles in each rack plus 3' of open space for entering and exiting the area (see diagram.)

If two or more bike racks are placed end-to-end, provide for a minimum of 2' between the ends of the racks to allow for bikes on the end of each rack.



**For any questions about installation, call Huntco at 1.800.547.5909**