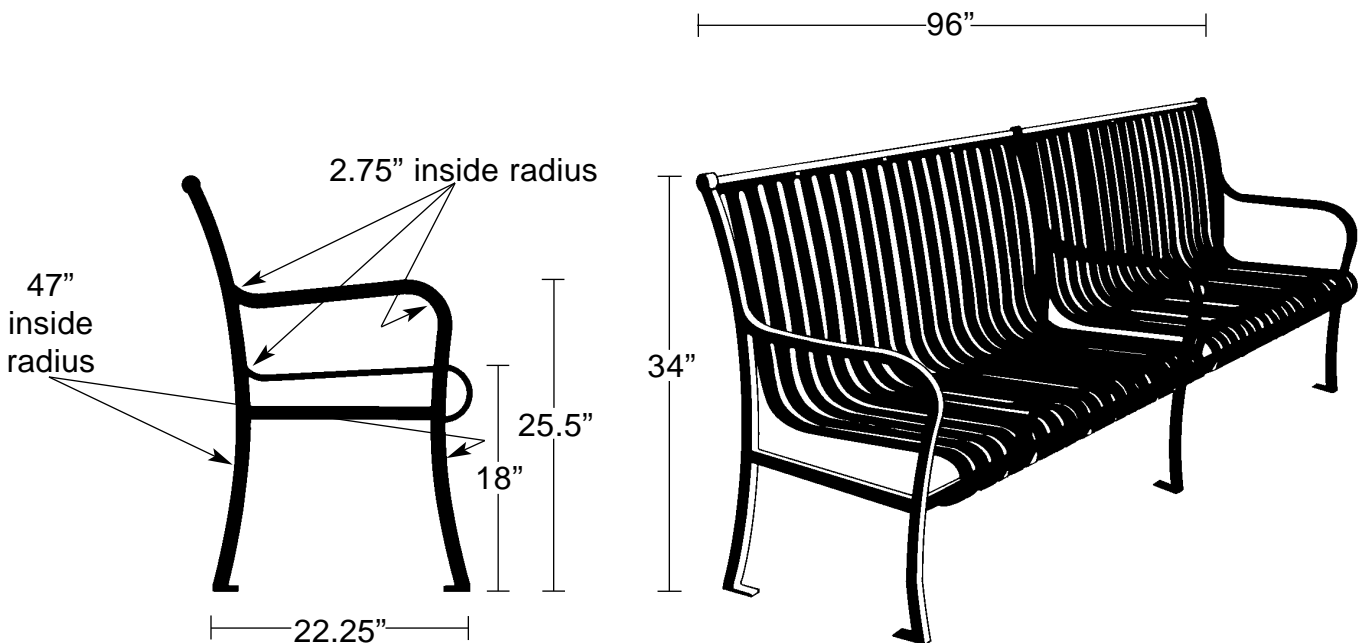
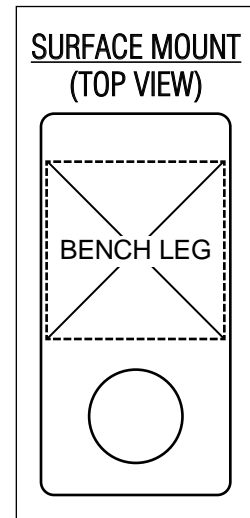


## The 8' Willamette Bench

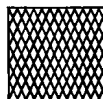
The elegant curves of the legs and armrests on this bench provide an interesting contrast to the more contemporary detail of the seat and back. The center armrest is an attractive feature that adds structural strength to the bench.

- Mounting Options
  - Free-standing
  - Surface mount (see detail)
- 96" long, 22.25" deep, 34" high. Custom lengths are available.
- Schedule 40 all steel construction, using .25" steel flat bar or steel plate, 1.50" diameter steel tubes and 1" solid square bars.
- Choice of three finishes:
  - Powder Coating (weather resistant Polyester TGIC, 6-8 mils thick) in an unlimited range of colors.
  - Stainless Steel, #4 Satin Finish.
  - Thermoplastic Coating (10-12 mils thick) in red, black, green, blue, gray, white, yellow and brown.



THREE OPTIONAL SEAT AND BACK PATTERNS, USING 3/16" PERFORATED STEEL PLATE

DIAMOND PATTERN



CIRCLE PATTERN



SQUARE PATTERN

