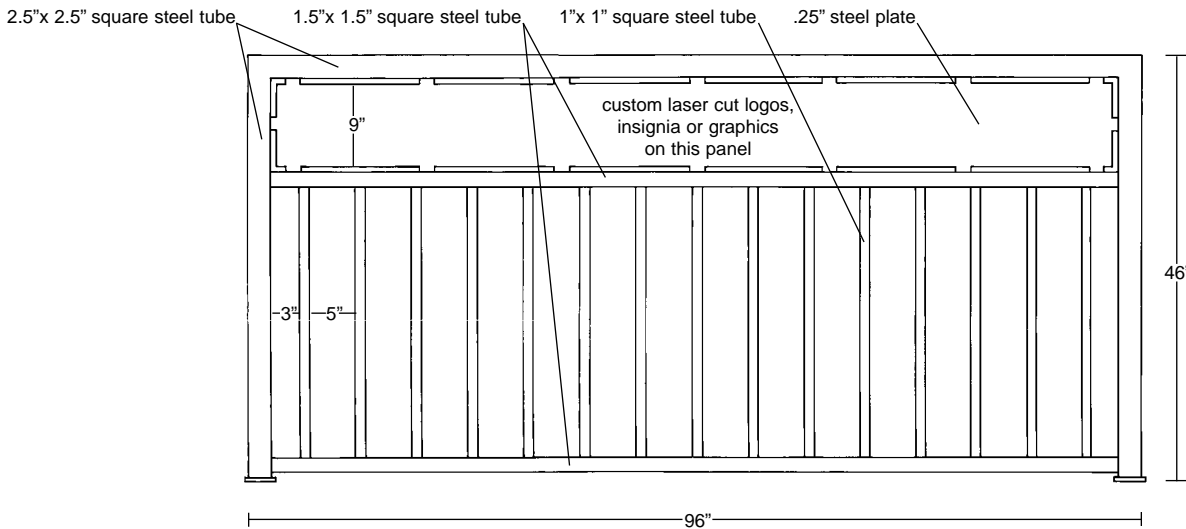
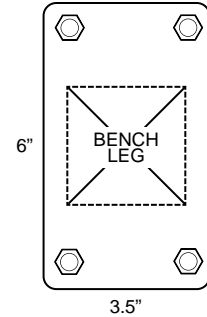


The LC Series Bike Racks

Each unit is constructed of 2.5"(6.35 cm) square, 1.5"(3.81 cm) square, 1"(2.54 cm) ASTM square structural and mechanical tubing (.188" wall) and 9"(22.86 cm) x .25"(.635 cm) steel plate.
All LC Series models are 46"(116.8 cm) high.
Lengths vary from 48"(121.9 cm) to 96"(243 cm).

- Surface Mount (see detail) or in-ground mount
- Choice of three finishes:
 - Hot Dipped Galvanized.
 - Powder Coating (weather resistant Polyester TGIC, 6-8 mils thick)
 - Thermoplastic Coating (10-12 mils thick) in red, black, green, blue, gray, white, yellow and brown.

SURFACE MOUNT
(TOP VIEW)



LC14

Model numbers indicate the number of bikes that each rack holds.

Model Number	Length	Height
LC6	48"	46"
LC7	54"	46"
LC8	60"	46"
LC9	66"	46"
LC10	72"	46"
LC11	78"	46"
LC12	84"	46"
LC13	90"	46"
LC14	96"	46"