

The Rogue Bench

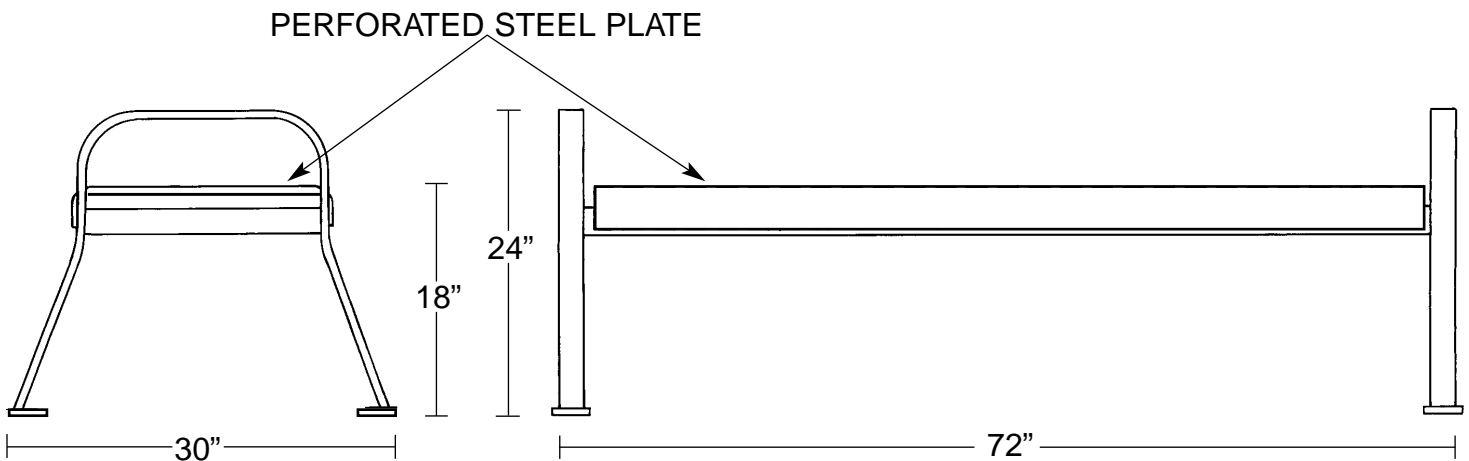
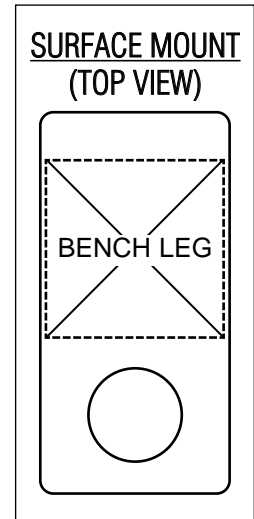
This low silhouette, "hard-working" bench is perfectly designed for outdoor, high-usage areas.

- Mounting Options
 - Free-standing
 - Surface mount (see detail)

- 72" long, 20" deep, 24" high. Custom lengths are available.

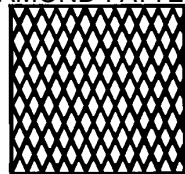
- All steel construction, using .1875" perforated steel plate for the seat and .25" x 2.0" flat steel bars.

- Choice of three finishes:
 - Powder Coating (weather resistant Polyester TGIC, 6-8 mils thick) in an unlimited range of colors.
 - Stainless Steel, #4 Satin Finish.
 - Thermoplastic Coating (10-12 mils thick) in red, black, green, blue, gray, white, yellow and brown.

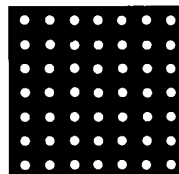


THREE OPTIONAL SEAT PATTERNS, USING 1/4" PERFORATED STEEL PLATE

DIAMOND PATTERN



CIRCLE PATTERN



SQUARE PATTERN

