



INNOVATION.

SITE FURNISHINGS

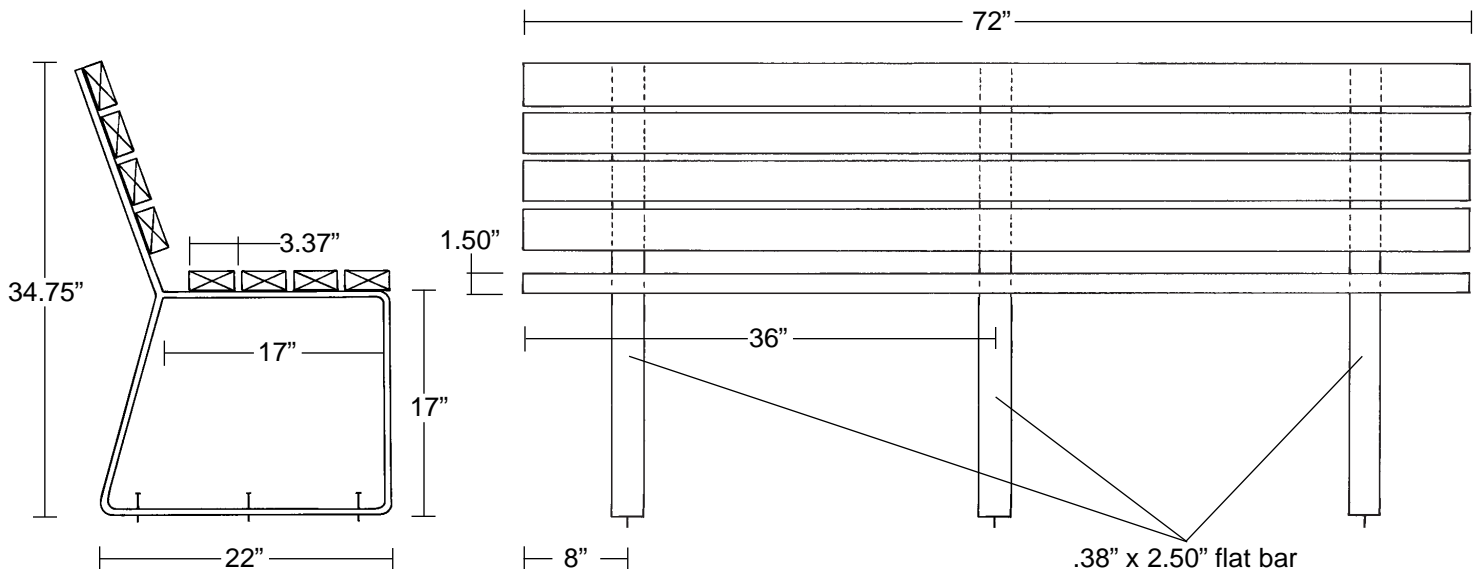
TRADITION.

The attractive and extremely durable Ecogenic Site Furnishings are probably the most earth-friendly benches, tables and site furnishings made. Recycled milk containers are purified into 100% high-density polyethylene. Color is molded all the way through the plastic, eliminating any concerns about fading. This material is used with galvanized steel flat bar that can be powder coated to create furnishings that are both colorful and contribute to the preservation of our natural resources.

## The Nova Bench with back

**Comfortable and colorful, this 6' bench is fabricated from solid 3.37" x 1.50", round-edged, recycled plastic planks and 2.5"x .38" steel flat bar.**

- 72" long, 20" deep, 34.75" high.
- Plank Colors:
  - UV stabilized colors of green, blue, tan and red.
- Steel Finishes:
  - Galvanized
  - Powder Coating (weather resistant Polyester TGIC, 6-8 mils thick) in an unlimited range of colors.
- Surface mounted or free-standing.
- Assembly required. All hardware supplied by Huntco.



Call HUNTCO at **1.800.547.5909** or **503.224.8700**

Fax HUNTCO at **503.274.2055**

Visit our website at **www.huntco.com** or see us at **www.sweets.com**