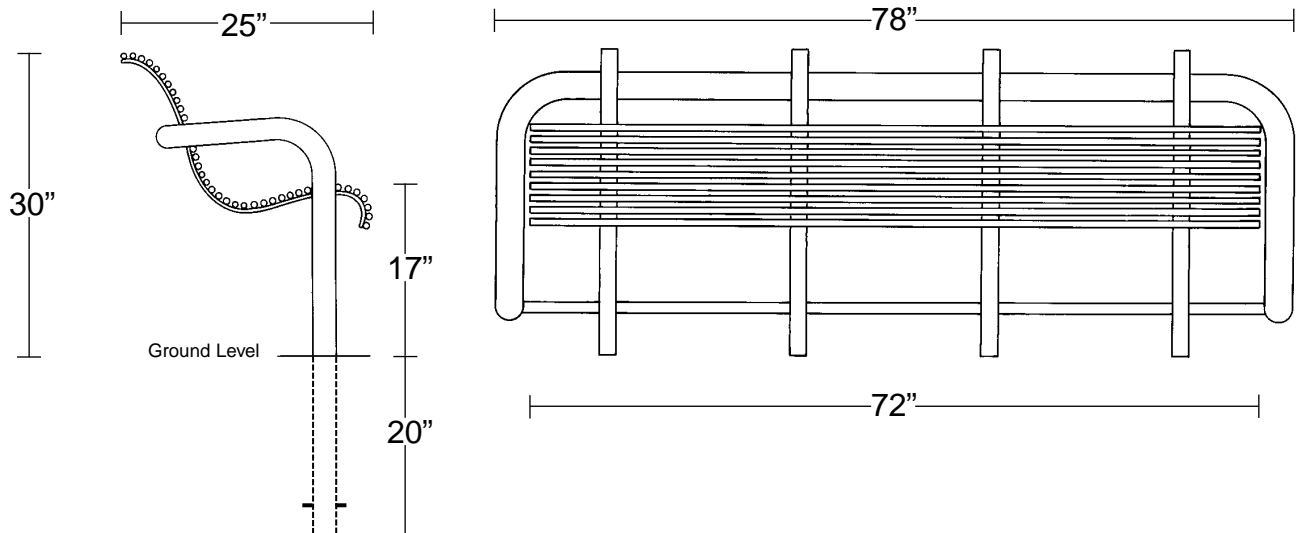
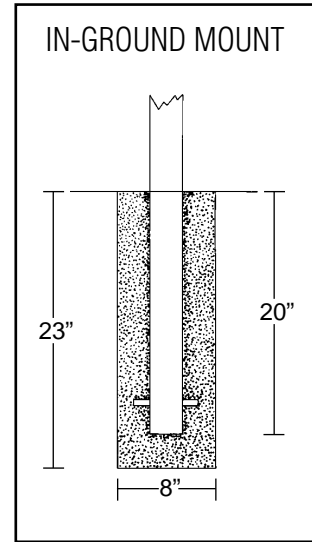


The attention-getting look of this bench from Huntco's **Northwest Series** almost hides its unequalled strength.

The McKenzie Bench (two legged version)

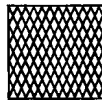
With its flowing lines and curves, the McKenzie is perfect for high-usage areas, especially outdoors.

- In-Ground Mount (see detail at right)
- 78" long (72" seat length,) 25" deep, 30" high.
Custom lengths are available.
- All steel construction, using 3.00"x.120" tube, 1.00"x.120" tube, .31"x1.50" flat bar and .625" rods.
- Choice of three finishes:
 - Powder Coating (weather resistant Polyester TGIC, 6-8 mils thick) in an unlimited range of colors.
 - Stainless Steel, #4 Satin Finish.
 - Thermoplastic Coating (10-12 mils thick) in red, black, green, blue, gray, white, yellow and brown.

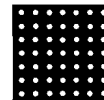


THREE OPTIONAL SEAT AND BACK PATTERNS, USING 1/4" PERFORATED STEEL PLATE

DIAMOND PATTERN



CIRCLE PATTERN



SQUARE PATTERN

