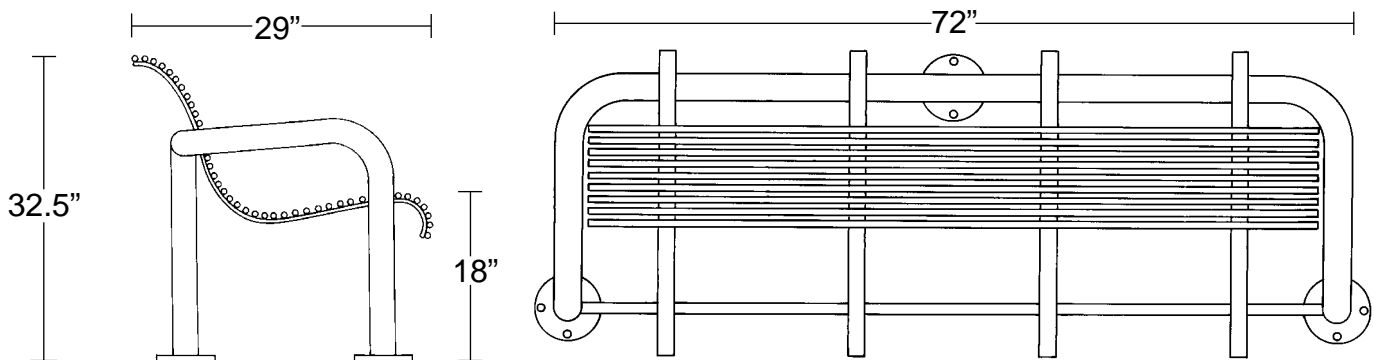
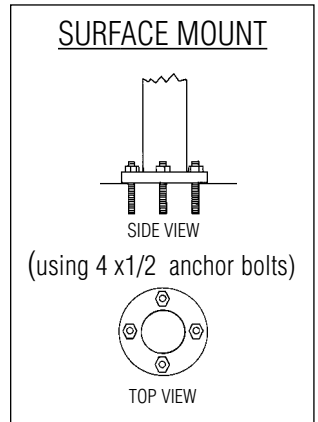


The attention-getting look of this bench from Huntco's **Northwest Series** almost hides its unequalled strength.

The McKenzie Bench (Tri-leg version)

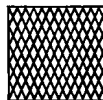
With its flowing lines and curves, the McKenzie is perfect for high-usage areas, especially outdoors.

- Surface Mount (see detail to right)
- 72" long, 29" deep, 32.5" high. Custom lengths are available.
- All steel construction, using 2.50"x.120" tube, 1.00"x.120" tube, .31"x1.50" flat bar and .625" rods.
- Choice of three finishes:
 - Powder Coating (weather resistant Polyester TGIC, 6-8 mils thick) in an unlimited range of colors.
 - Stainless Steel, #4 Satin Finish.
 - Thermoplastic Coating (10-12 mils thick) in red, black, green, blue, gray, white, yellow and brown.

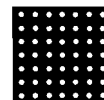


THREE OPTIONAL SEAT AND
BACK PATTERNS, USING
1/4" PERFORATED STEEL PLATE

DIAMOND PATTERN



CIRCLE PATTERN



SQUARE PATTERN

