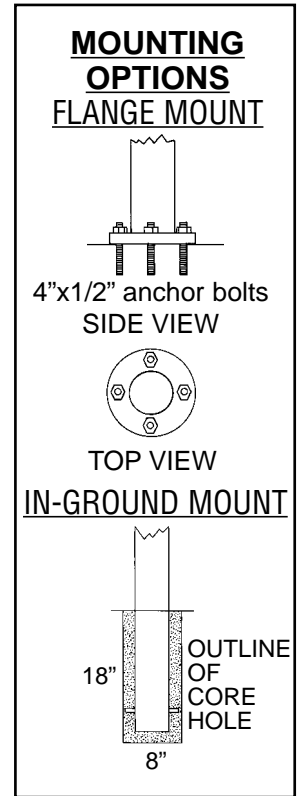
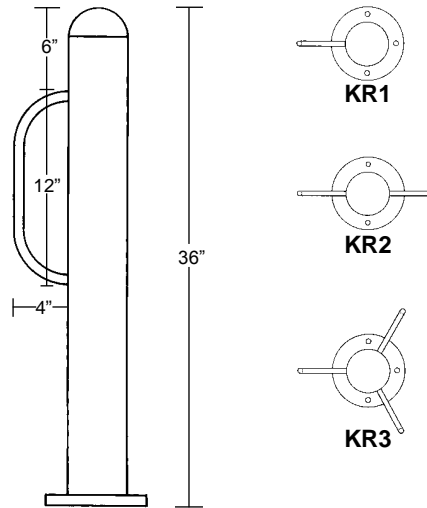


## Key Rack (KR1, KR2 and KR3)

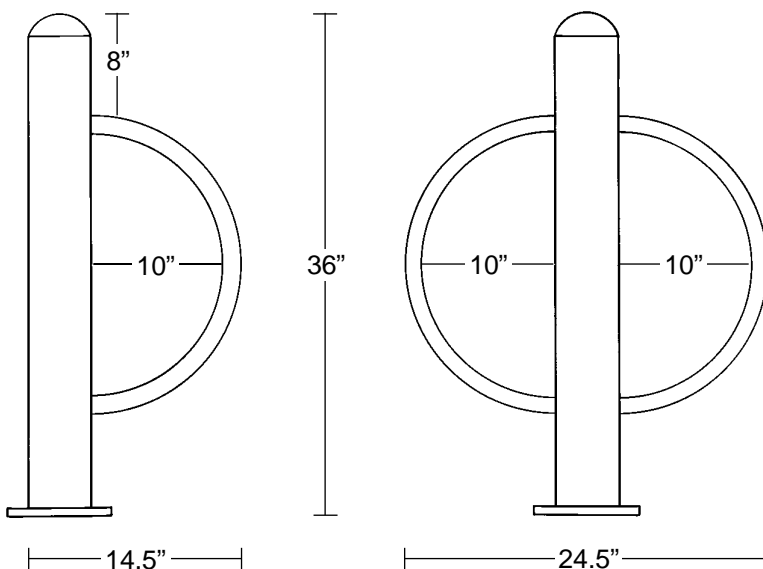
This rack can be made to accommodate one, two or three bikes. It has a 4.5"(11.4 cm) O.D. 4"(10.2 cm) I.D. **schedule 40 steel pipe** main post and a 1.3125"(3.334 cm) diameter steel bar to secure the bikes. 36"(91.4 cm) height.

- Mounting Options (see detail)
  - Flange Mount
  - Free-Standing
  - In-Ground

- Choice of four finishes:
  - Hot Dipped Galvanized
  - Powder Coating (weather resistant Polyester TGIC, 6-8 mils thick) in an unlimited range of colors.
  - Stainless Steel, #4 Satin Finish.
  - Thermoplastic Coating (10-12 mils thick) in red, black, green, blue, gray, white, yellow and brown.



## Half Circle and Full Circle Bike Rack



Perfect for limited space!  
 4.5"(11.4 cm) O.D. 4"(10.2 cm) I.D. **ASTM A53 schedule 40 steel pipe** main post and a 1"(2.5 cm) diameter steel bar in a half circle to secure one bike or full circle to secure two bikes.  
 Half Circle: 36"(91.4 cm) high, 14.5"(36.3 cm) wide.  
 Full Circle: 36"(91.4 cm) high, 24.5"(62.2 cm) wide.  
**Mounting Options and finishes same as Key Rack.**