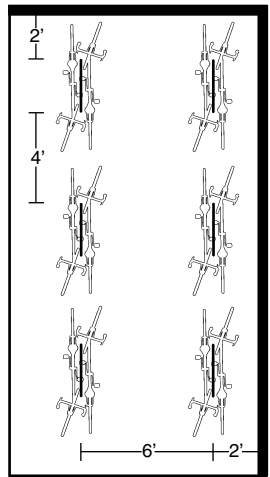
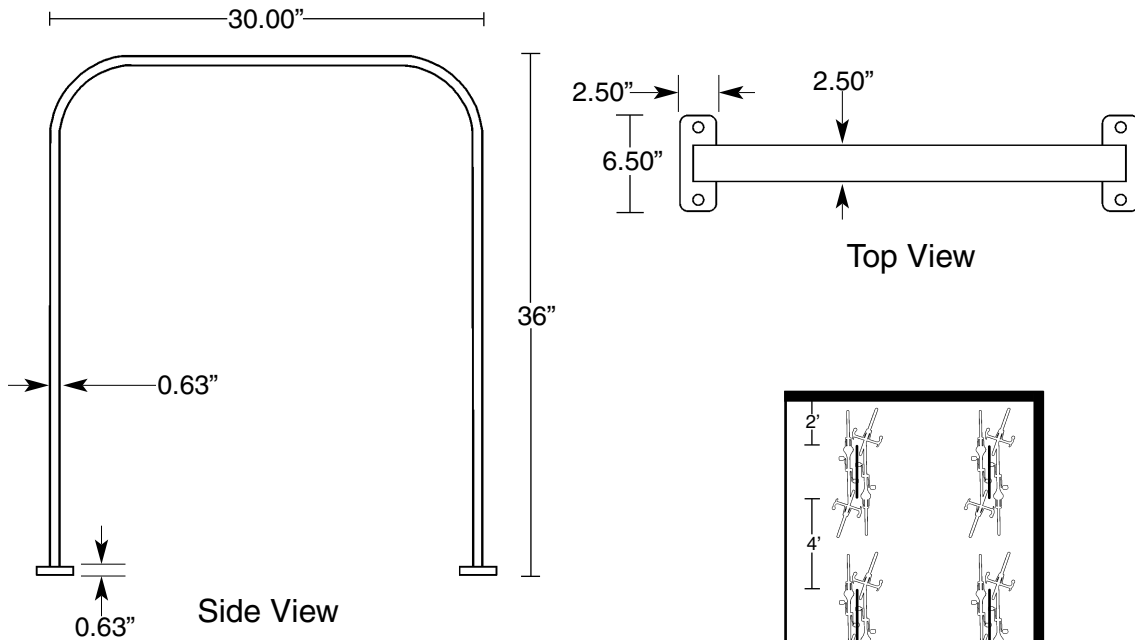


The HP-FB Rack

Each unit is constructed of 2.50"x 0.63" mild steel flat bar

- The HP is 36"(91.4 cm) high x 30"(76.2 cm) wide.
- Flange Mount or In-Ground Mount
- Choice of three finishes:
 - Hot Dipped Galvanized
 - Powder Coating (weather resistant Polyester TGIC, 6-8 mils thick) in an unlimited range of colors.
 - Thermoplastic Coating (10-12 mils thick) in red, black, green, blue, gray, white, yellow and brown.



Rack Placement