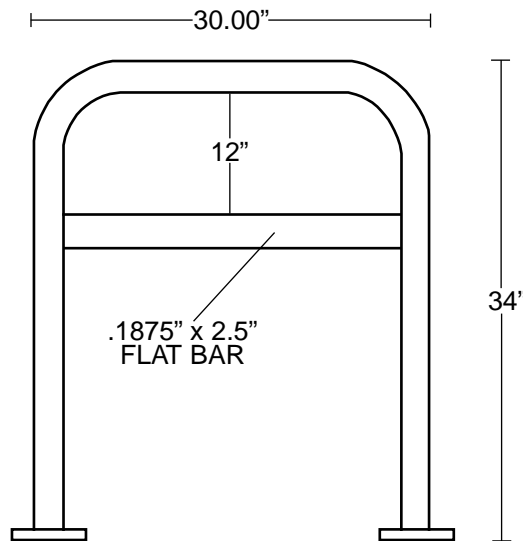


# The HP Rack

Each unit is constructed of  
 2.375"(6.0 cm)O.D. 2"(5.0 cm)I.D. x 0.154"(.39 cm) wall  
 ASTM A53 *schedule 40* steel pipe  
 and .1875"(.48 cm) x 2.5"(6.35 cm) steel flat bar.

- The HP is 34"(86.4 cm) or optional 42"(91.4 cm) high x 30"(76.2 cm) wide.
- Mounting Options (see detail)
  - Flange Mount ■ Free-Standing ■ In-Ground
- Choice of four finishes:
  - Hot Dipped Galvanized
  - Powder Coating (weather resistant Polyester TGIC, 6-8 mils thick) in an unlimited range of colors.
  - ASTM A314 *schedule 40* TP304 Stainless Steel, #4 Satin Finish.
  - Thermoplastic Coating (10-12 mils thick) in red, black, green, blue, gray, white, yellow and brown.



**HP 40 lbs.**

**MOUNTING OPTIONS**  
**FLANGE MOUNT**

4"x1/2" anchor bolts  
 SIDE VIEW

TOP VIEW

**IN-GROUND MOUNT**

12" OUTLINE OF CORE HOLE  
 6"

**FLANGE COVERS**  
 "The Finishing Touch"