

The HP Rack

Each unit is constructed of

2.375"(6.0 cm)O.D. 2"(5.0 cm)I.D. x 0.154"(.39 cm) wall

ASTM A53 *schedule 40* steel pipe

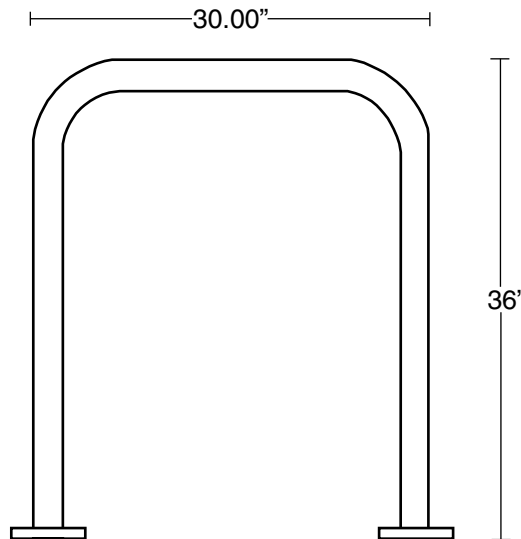
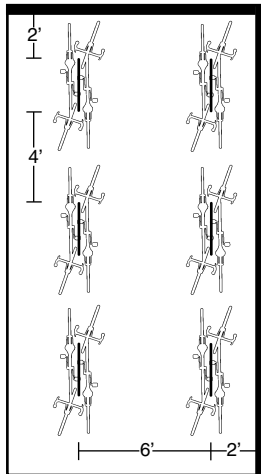
■ The HP is 36"(91.4 cm) or optional 42"(91.4 cm) high x 30"(76.2 cm) wide.

■ Mounting Options (see detail)

- Flange Mount
- Free-Standing
- In-Ground

■ Choice of four finishes:

- Hot Dipped Galvanized
- Powder Coating (weather resistant Polyester TGIC, 6-8 mils thick) in an unlimited range of colors.
- ASTM A314 *schedule 40* TP304 Stainless Steel, #4 Satin Finish.
- Thermoplastic Coating (10-12 mils thick) in red, black, green, blue, gray, white, yellow and brown.



HP 40 lbs.

**MOUNTING
OPTIONS**

FLANGE MOUNT

4"x1/2" anchor bolts
SIDE VIEW

TOP VIEW

IN-GROUND MOUNT

12" | 6" |
OUTLINE OF CORE HOLE

FLANGE COVERS
"The Finishing Touch"