

## The HCR Model Bike Rack

*Different sizes of this stylish and contemporary bike rack are designed to hold 4 to 12 bikes. The HCR-12 shown below holds 12 bikes.*

**Each all-steel rack is constructed of 1" solid steel round bar and 2" Schedule 40 steel pipe.**

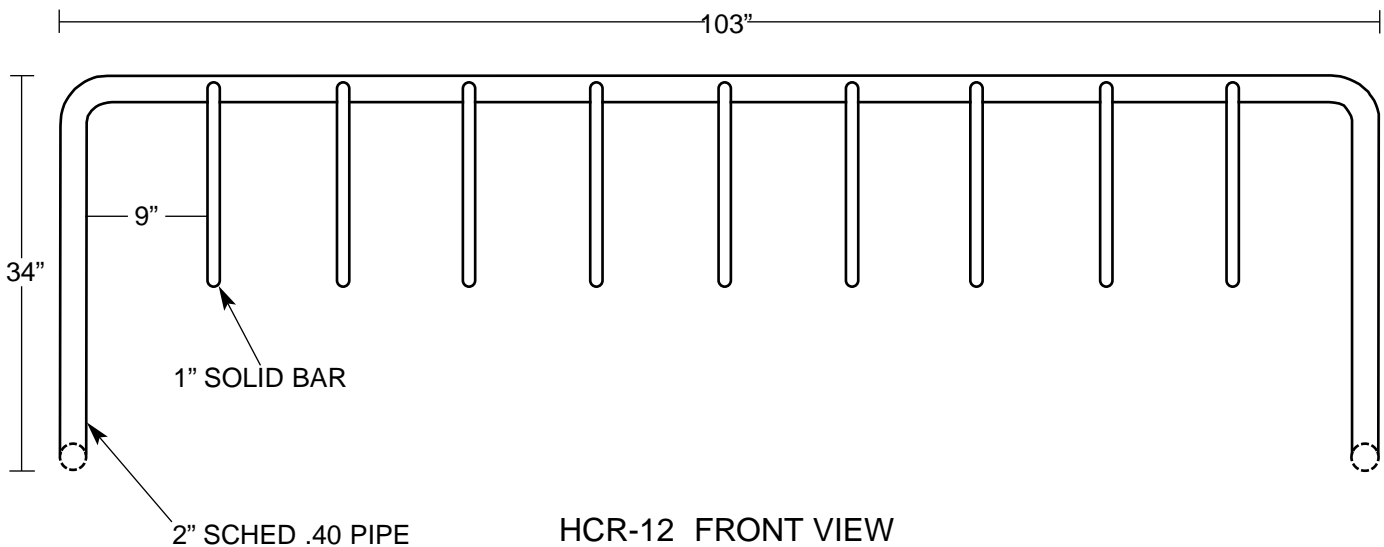
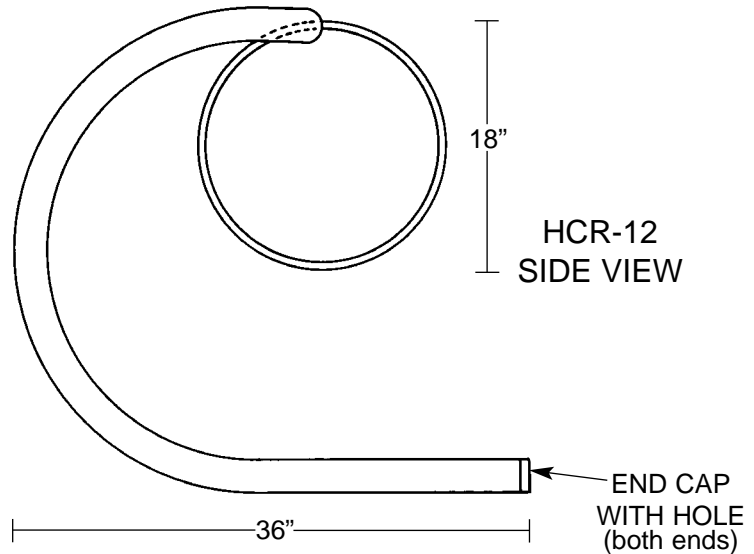
**The rack is 34" high and 103" long.**

**Custom sizes are available.**

■ Surface-mount or free-standing.

■ Choice of three finishes:

- Hot Dipped Galvanized
- Powder Coating (weather resistant Polyester TGIC, 6-8 mils thick) in an unlimited range of colors
- Thermoplastic Coating (10-12 mils thick) in red, black, green, blue, gray, white, yellow and brown



Call HUNTCO at **1.800.547.5909** or **503.224.8700** Fax HUNTCO at **503.274.2055**  
 Visit our website at **www.huntco.com** or see us at **www.sweets.com**