

The HCR Model Bike Rack

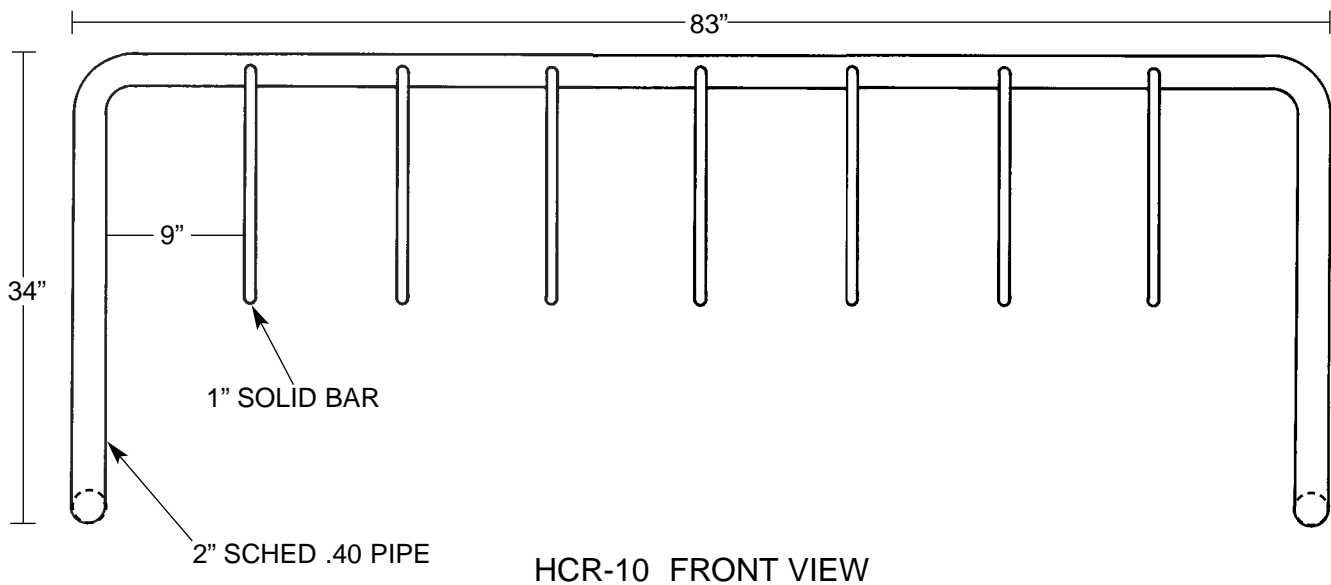
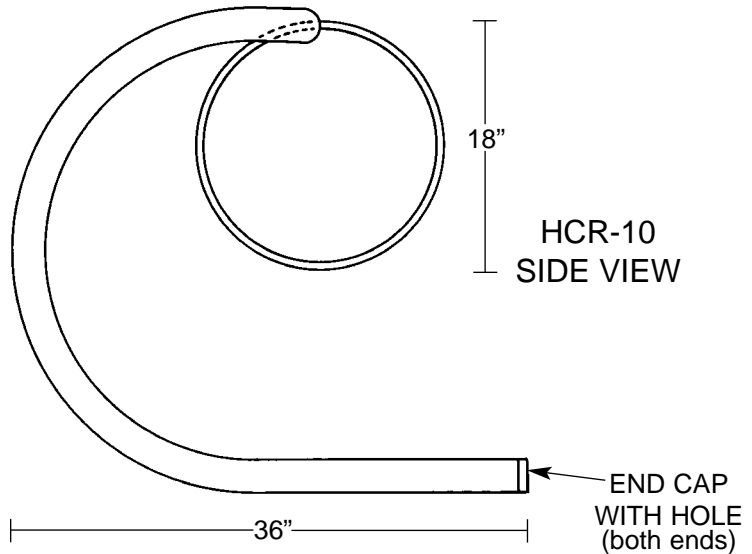
Different sizes of this stylish and contemporary bike rack are designed to hold 4 to 12 bikes. The HCR-10 shown below holds 10 bikes.

Each all-steel rack is constructed of 1" solid steel round bar and 2" Schedule 40 steel pipe.

The rack is 34" high and 83" long.

Custom sizes are available.

- Surface-mount or free-standing.
- Choice of three finishes:
 - Hot Dipped Galvanized
 - Powder Coating (weather resistant Polyester TGIC, 6-8 mils thick) in an unlimited range of colors
 - Thermoplastic Coating (10-12 mils thick) in red, black, green, blue, gray, white, yellow and brown



Call HUNTCO at **1.800.547.5909** or **503.224.8700** Fax HUNTCO at **503.274.2055**
 Visit our website at **www.huntco.com** or see us at **www.sweets.com**