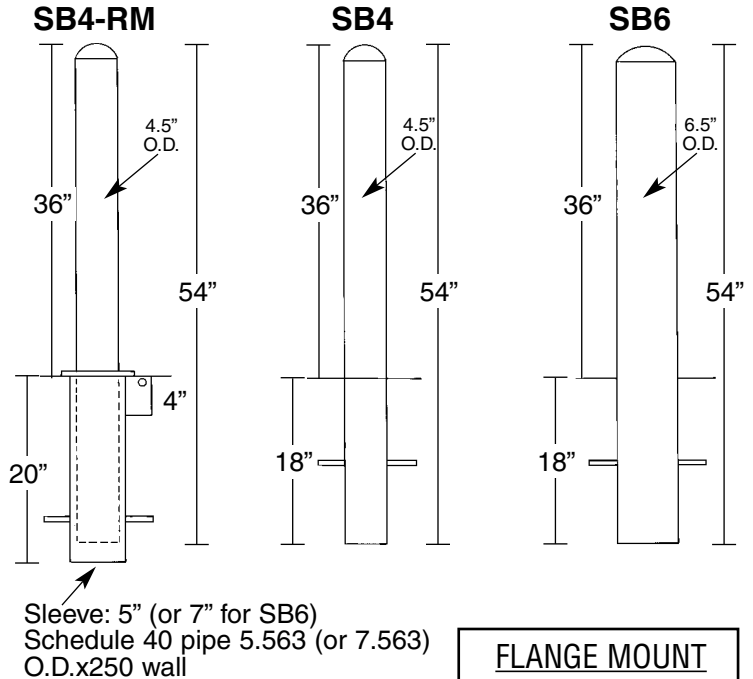


Bollards

Our **STANDARD BOLLARDS** are 36" (91.4 cm) high, 4.5" (11.4 cm) O.D., 4" (10.2 cm) I.D. or 6.5" (16.5 cm) O.D., 6" (15.2 cm) I.D. **ASTM A53 schedule 40 steel pipe.**

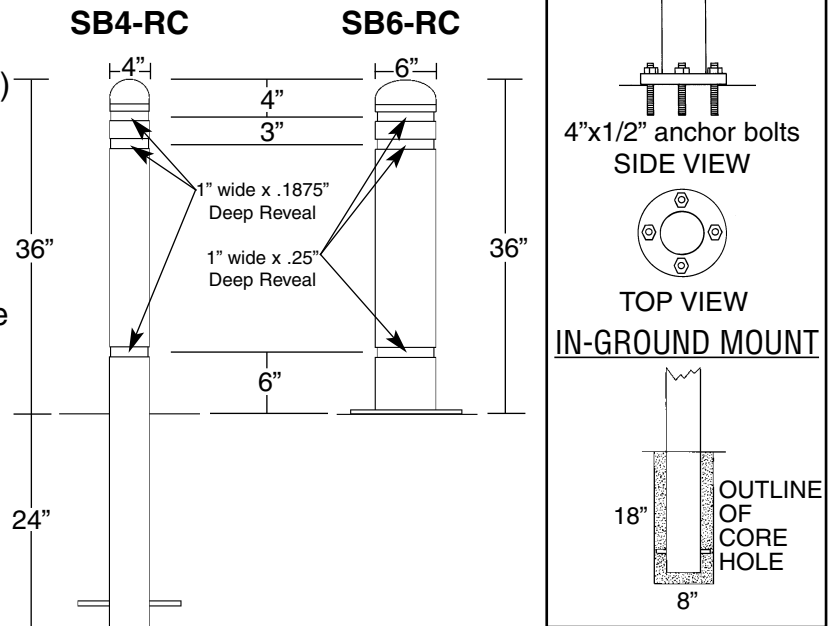
- Smaller and larger sizes are available.
- Bollards can be flange mounted or in-ground mounted.
- Huntco standard bollards can also be removable when a sleeve is sunk into the ground.
- All bollards have dome caps attached, but can be separated if the bollard is to be filled with concrete for added strength.



Reveal Bollards

Our **REVEAL BOLLARDS** are 36" (91.4 cm) high, 4" (10.2 cm) O.D. or 6" (15.2 cm) O.D. **ASTM A53 schedule 80 steel pipe.**

- Smaller and larger sizes are available.
- Reveal Bollards can be flange mounted or in-ground mounted. They can also be removable when a sleeve is sunk into the ground (see SB4-RM drawing above.)
- All bollards have dome caps attached, but can be separated if the bollard is to be filled with concrete for added strength.



- Choice of four finishes for all bollards:
 - Hot Dipped Galvanized
 - Powder Coating (weather resistant Polyester TGIC, 6-8 mils thick) in an unlimited range of colors.
 - Stainless Steel, #4 Satin Finish.
 - Thermoplastic Coating (10-12 mils thick) in red, black, green, blue, gray, white, yellow and brown.

