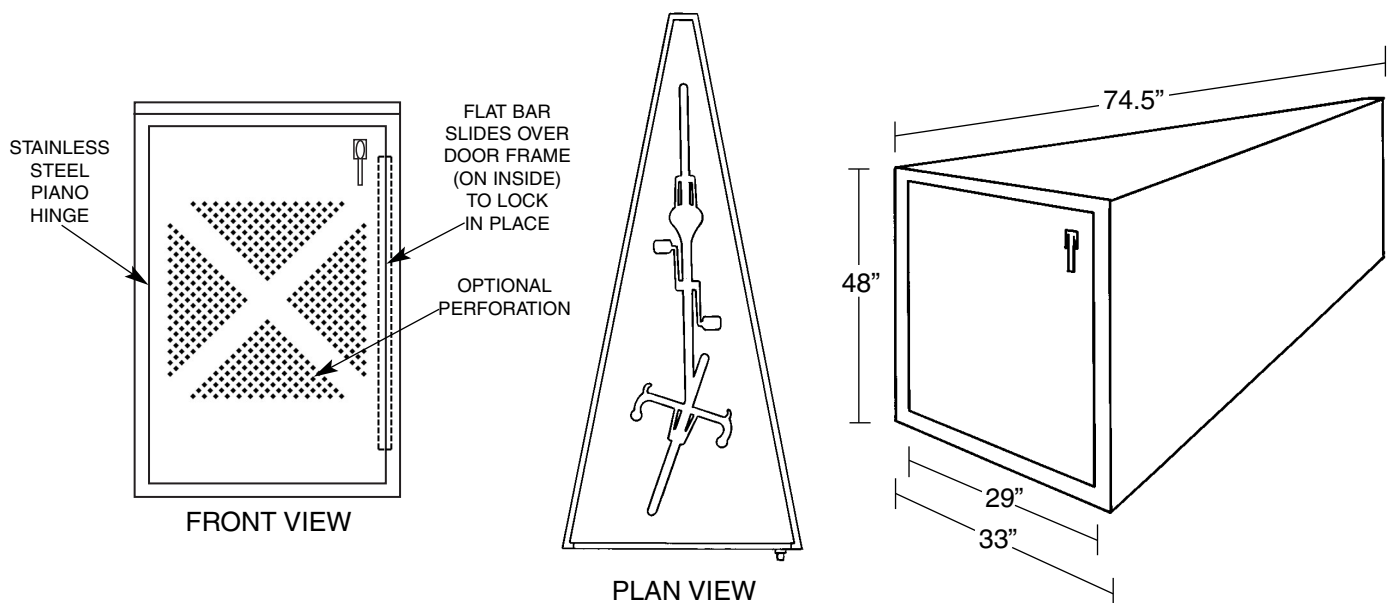


BV-HW Bike Locker (Horizontal)

These secure, weatherproof bike lockers can be configured in many ways (see below) and will adapt to any venue. Each unit holds one bike. The locking mechanism on the door pulls a full-length flat bar over the edge of the door frame, making it one of the most secure bike lockers on the market. The standard, solid 14 gauge steel door, sides and top of the locker can be perforated (as an option) for policing and ventilation. For a bike locker with an even smaller "footprint," ask about our BV-VW.

- 33" wide at the door end, 9" wide at the opposite end. 48" high. 74.5" long.
- 14 and 16 gauge steel construction.
- Surface mount on vertically adjustable leveling feet that insure stability.
- Two finishes:
 - Powder Coating (weather resistant Polyester TGIC, 6-8 mils thick) in an unlimited range of colors.
 - Stainless Steel



THREE EXAMPLES OF UNIT CONFIGURATIONS

