

The BC Series Bike Rack

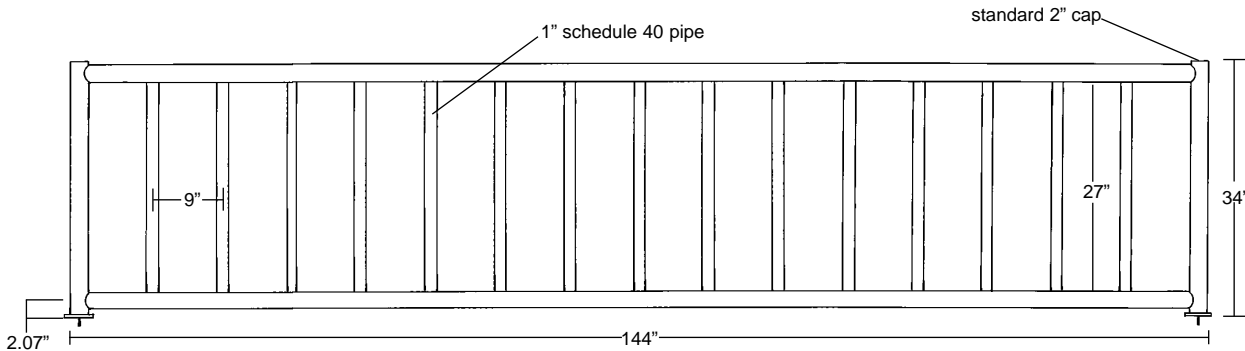
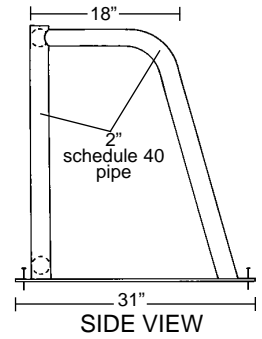
BC16, BC18 and BC 20

Model numbers indicate the number of bikes that each rack holds.

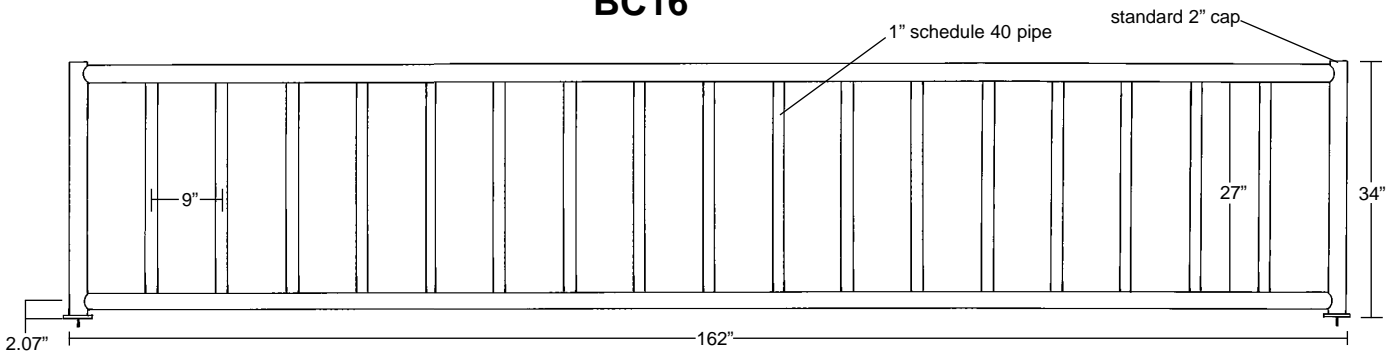
Each unit is constructed of 2"(5.08 cm) and 1"(2.54 cm) ASTM *schedule 40* steel pipe and 3" (7.62 cm) x .375"(.95 cm) steel flat bar

All BC Series racks are 34"(86.36 cm) high.

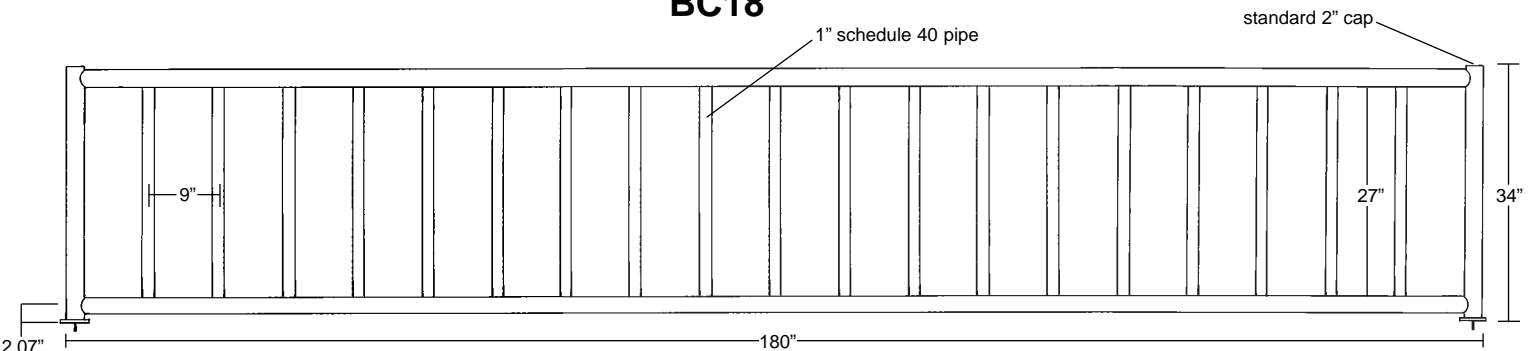
- Surface Mount
- Choice of four finishes:
 - Hot Dipped Galvanized
 - Powder Coating (weather resistant Polyester TGIC, 6-8 mils thick) in an unlimited range of colors.
 - Stainless Steel, #4 Satin Finish.
 - Thermoplastic Coating (10-12 mils thick) in red, black, green, blue, gray, white, yellow and brown.



BC16



BC18



BC20